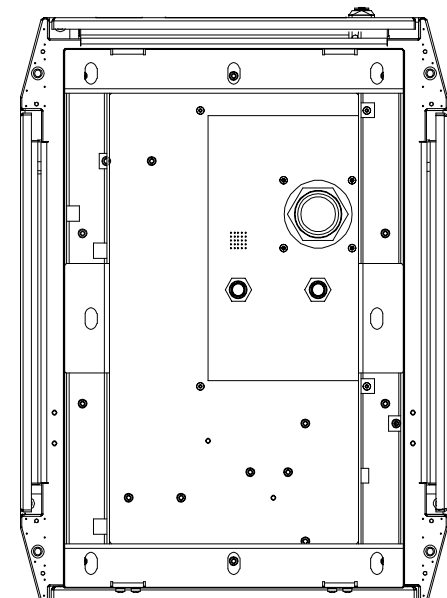


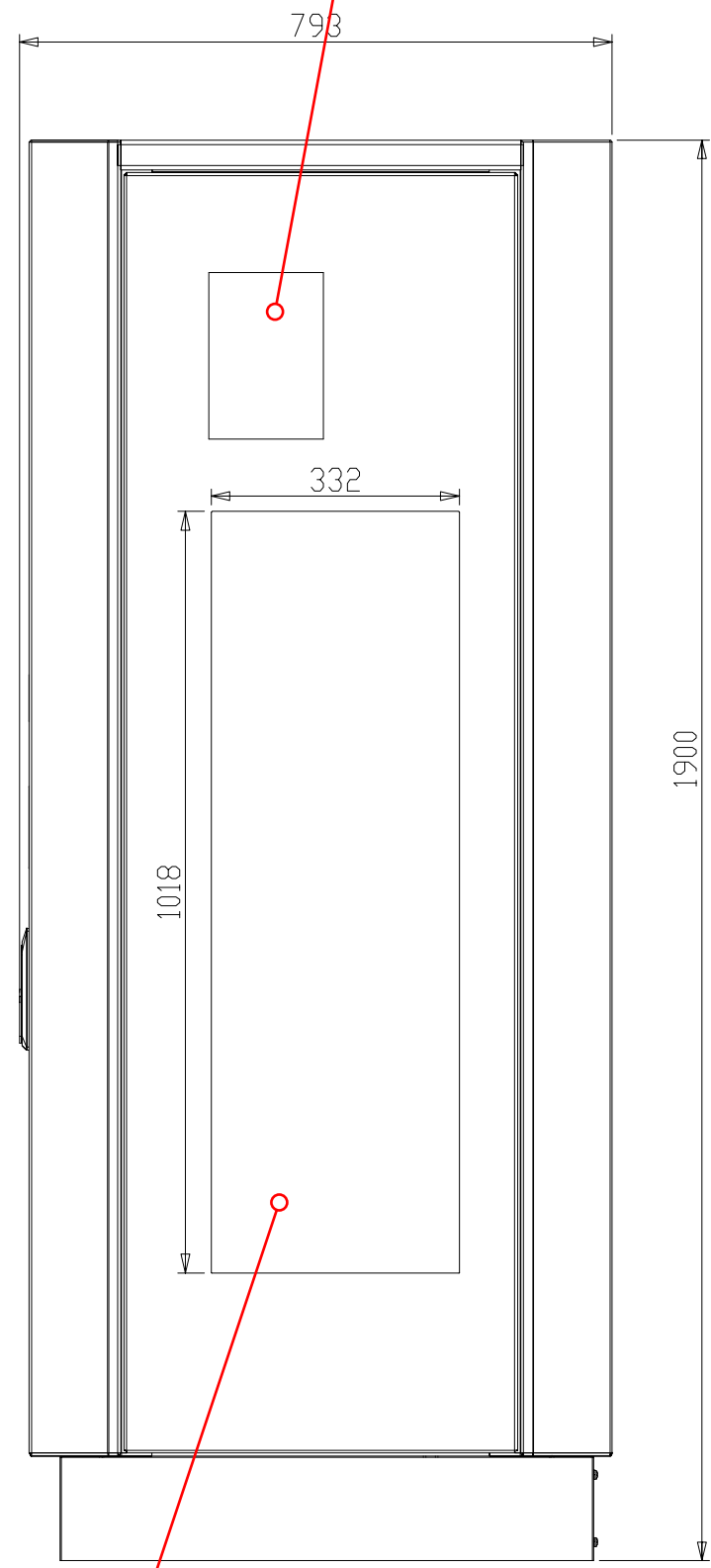
1. Product must meet cosmetic standard requirements (Category A/B or C) specified in P1 Cosmetic standards procedure C04-QAM001-2.
 2. Supplier's inspection must comply FAI procedure C04-QAM002-2.
 3. Dimensions specified in oval are critical to function and require inspection. Dimensional Quality shall be CPK1.33 MIN. Provide report for minimum 33pcs batch.
 4. Part(s) shall be adequately packaged to prevent damage in shipment and handling in out type separators, protective wrapped as required.
 5. -----Noted surfaces to be free of all scratches, ejector marks and shrink marks.
 Drawing is for notes and CTF dimension only. Refer to individual CAD file for 3-D geometry.

© Copyright 2016 Power-One Italy Spa. All rights reserved. Reproduction, use or disclosure to third parties without express written authority is strictly forbidden.

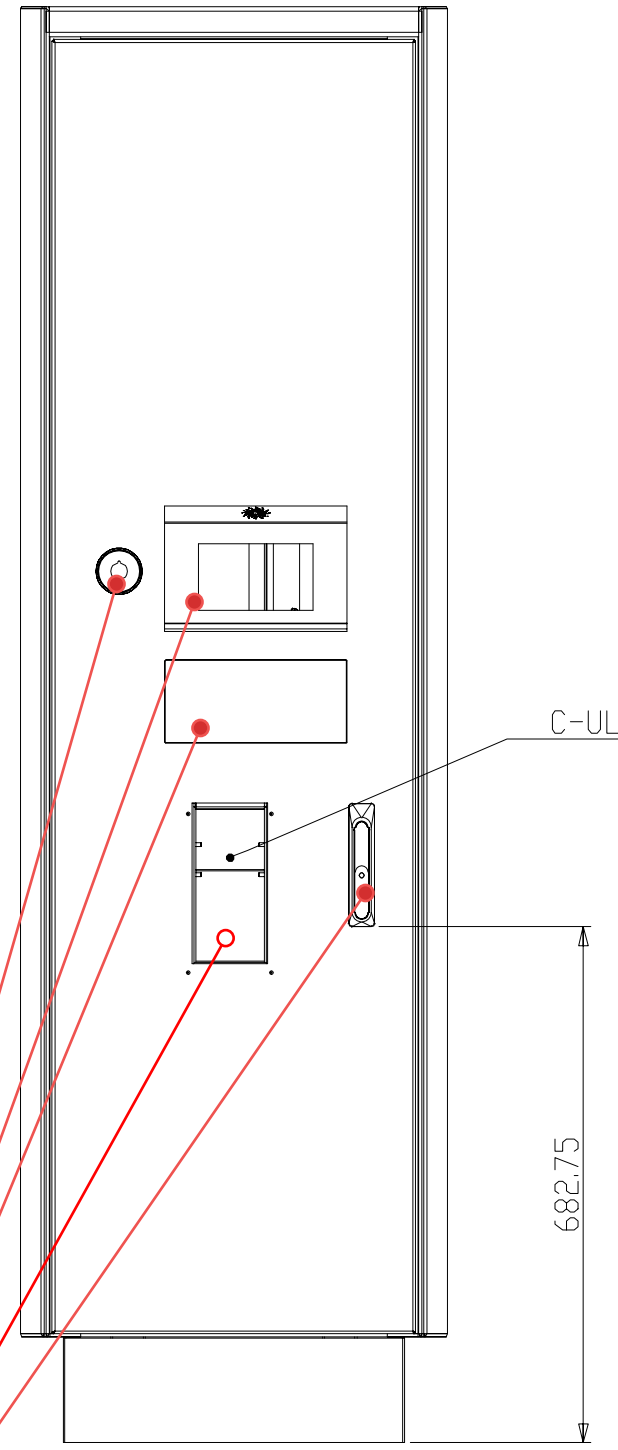
*** Please refer to the CAD file (*.dxf) of this drawing for exact measurements for wrap dimensioning.



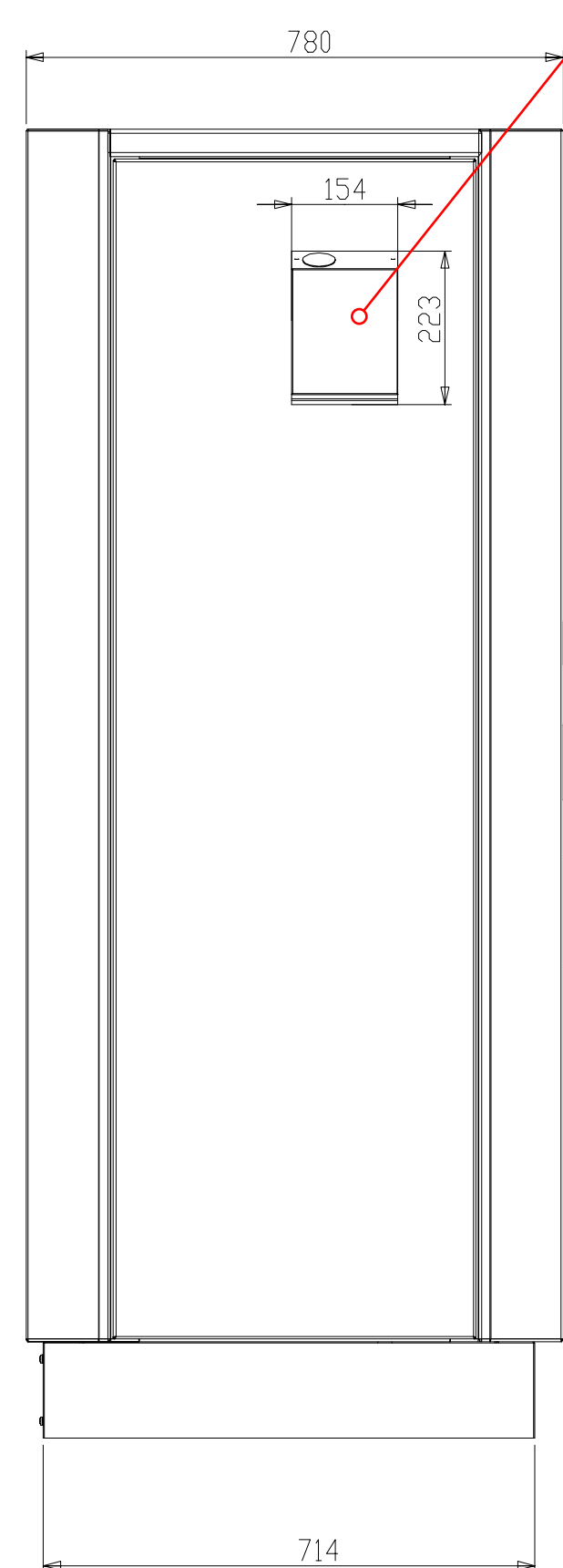
VIEW FROM BELOW



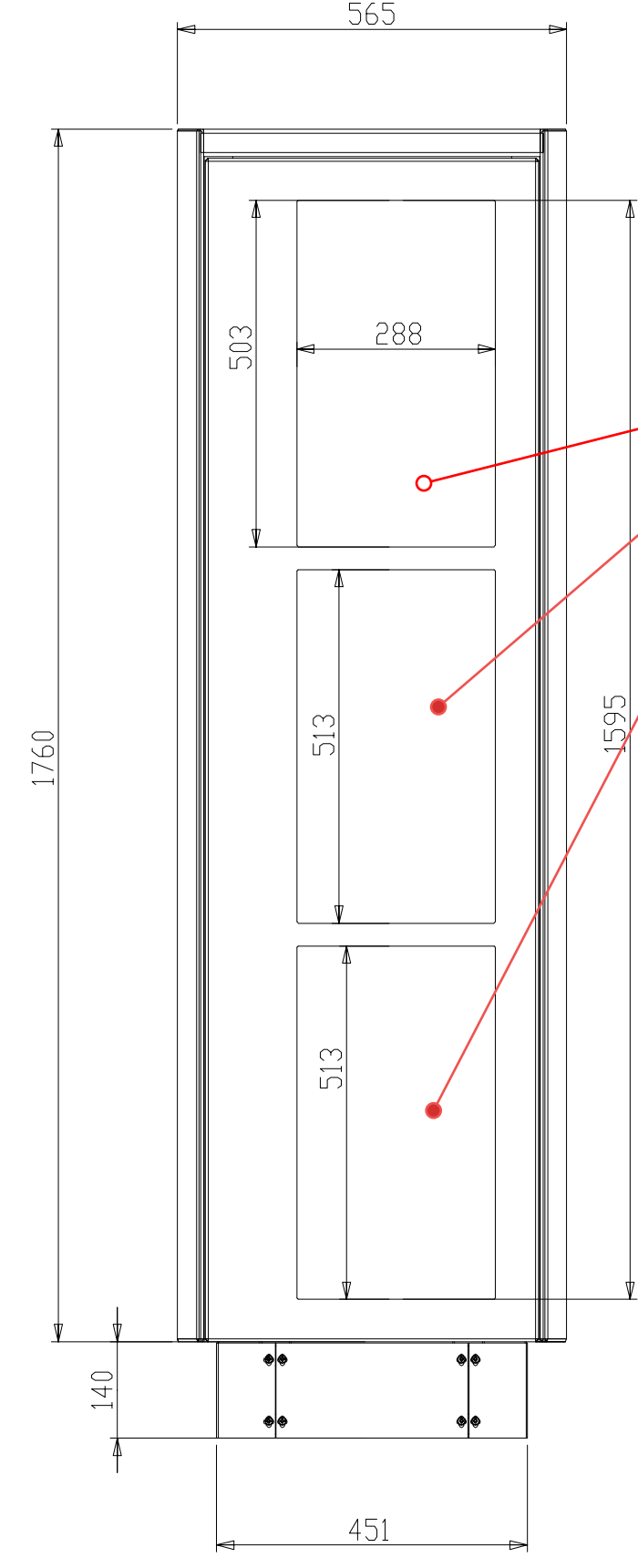
RIGHT SIDE VIEW



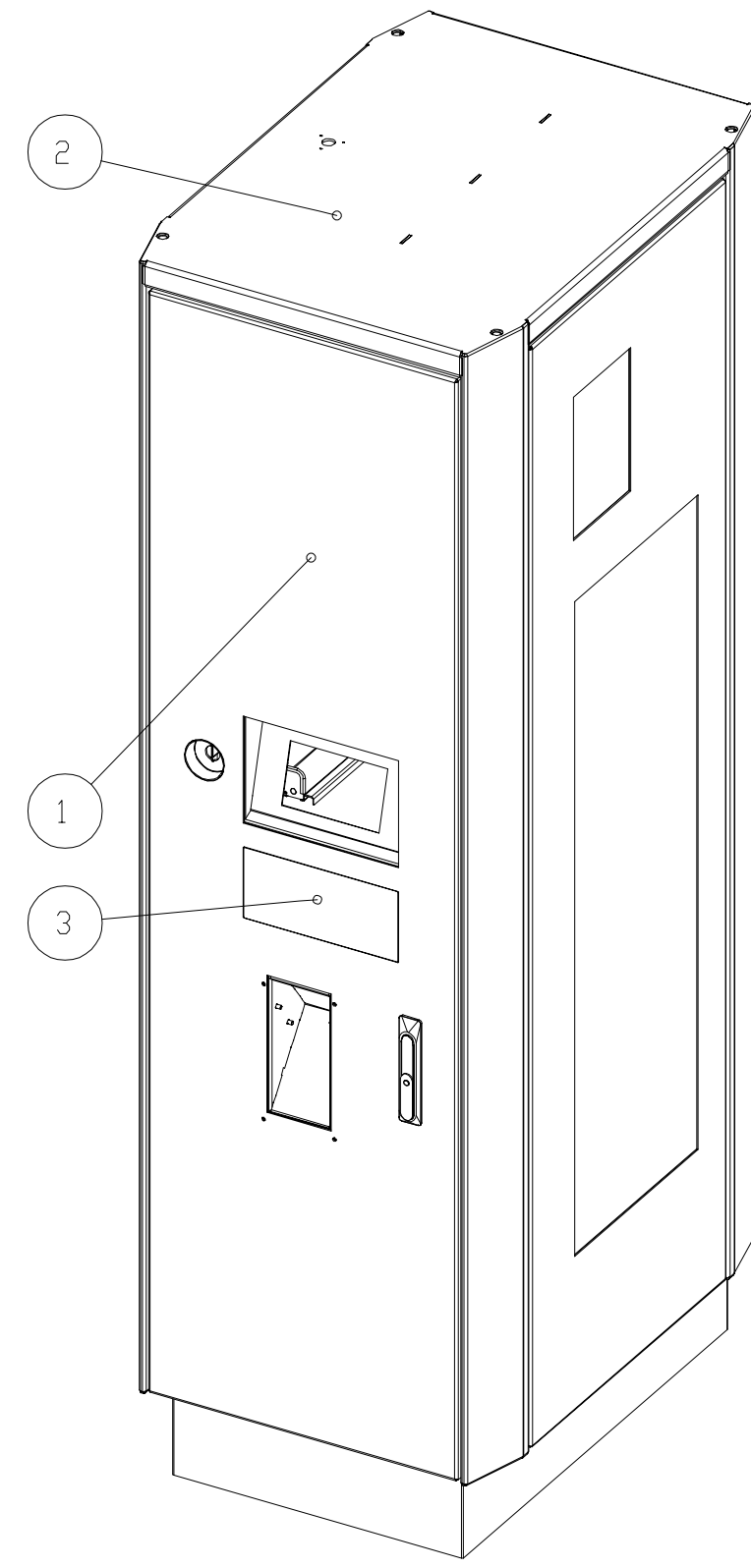
MAIN VIEW - FRONT



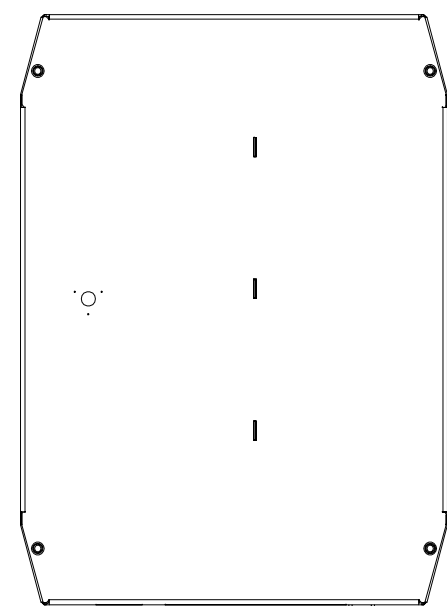
LEFT SIDE VIEW



MAIN VIEW - BACK



MAIN VIEW - ISOMETRIC



TOP VIEW

Do not wrap this opening, main ventilation inlet

Do not wrap these openings...!

Do not wrap this opening (1), charge cable outlet

Do not wrap these openings (3), ventilation outlets

FOLLOW THE SPECIFICATIONS BELOW
 ASSEMBLY THE GUN HOLDERS AS DESCRIBED "LIST FOR GUN HOLDERS"
 C-UL : POSITION FOR GUN HOLDER

URP.V2N02.0	GASKET SPECIFICATION TERRA X4 US VERSION
URP.V2N01.0	COLOUR SPEC. TERRA X4 US STANDARD ABB COLOURS
URL.V2N21.0	LIST FOR GUN HOLDERS TERRA X4 C-UL
URL.V2N00.0	SPEC. AND POS. OF STANDARD SILKSCREENS IN GEN. CABINET TERRA X4
URL.V2N31.0	SILKSCREEN LIST FOR TERRA X4 C-UL

3	XEE.N00A7.0DG	RFID PLASTIC MOUNT PIECE	1
2	XEE.V2N06.0DG	ENCLOSURE; ASSY MECH BASE TX4	1
1	XEE.V2N11.0.DG	ASSY MECH TX4 C-UL	1

Version	Revision	Description	Designer	Date	ECO
0	AE	CHANGED GUNHOLDER IN LIST: XAB.V2N21.0	CHECCUCCI D.	15/11/19	C91081
0	AD	RESTRUCTURED BOM	CHECCUCCI D.	29/03/19	C86574
0	AC	REMOVED PLUG	CHECCUCCI D.	24/01/19	C85045
0	AB	CHANGED PLUG	CHECCUCCI D.	20/06/18	C81178
0	AA	ITEM CREATION	CHECCUCCI D.	04/04/18	C79544

Material	Treatment	Weight	dimensions with general tolerances according to ISO 2768						
			0.5-3	3-6	6-30	30-120	120-400	400-1000	
All material used, and finished product, must meet the requirements of the current RoHS directive of the European Union.		198.978 kg	Precision	±0.05	±0.05	±0.1	±0.15	±0.2	±0.3
			Medium	±0.1	±0.1	±0.2	±0.3	±0.5	±0.8
			Coarse	±0.2	±0.3	±0.5	±0.8	±1.2	±2

Title		23/02/18	CHECCUCCI D.
MECH ENCLOSURE TX4 C-UL ABB COLORS		23/02/18	BUTINA
Issued			
Modified			
Mech Eng approved			
Elec Eng approved			
Mfg approved			

ABB	Size	Scale	Unit [mm]	Sheet	Drawing No.	Revision
	A1	1:10	mm	1/1	YVD.V2N31.0DG	AE