

REVISIONS				
ZONE	REV.	DESCRIPTION	DATE	APPROVED
	A	ABB TERRA DCWB PEDESTAL W-95" RETRACTOR FOR REFERENCE ONLY	2/15/2024	CJ

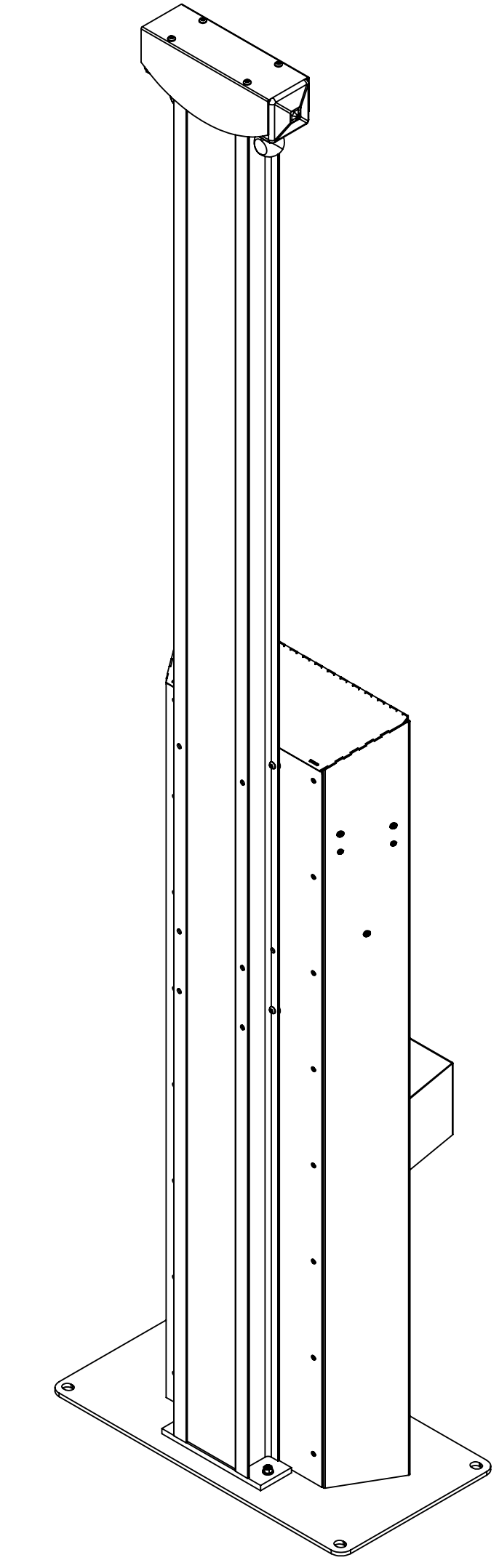
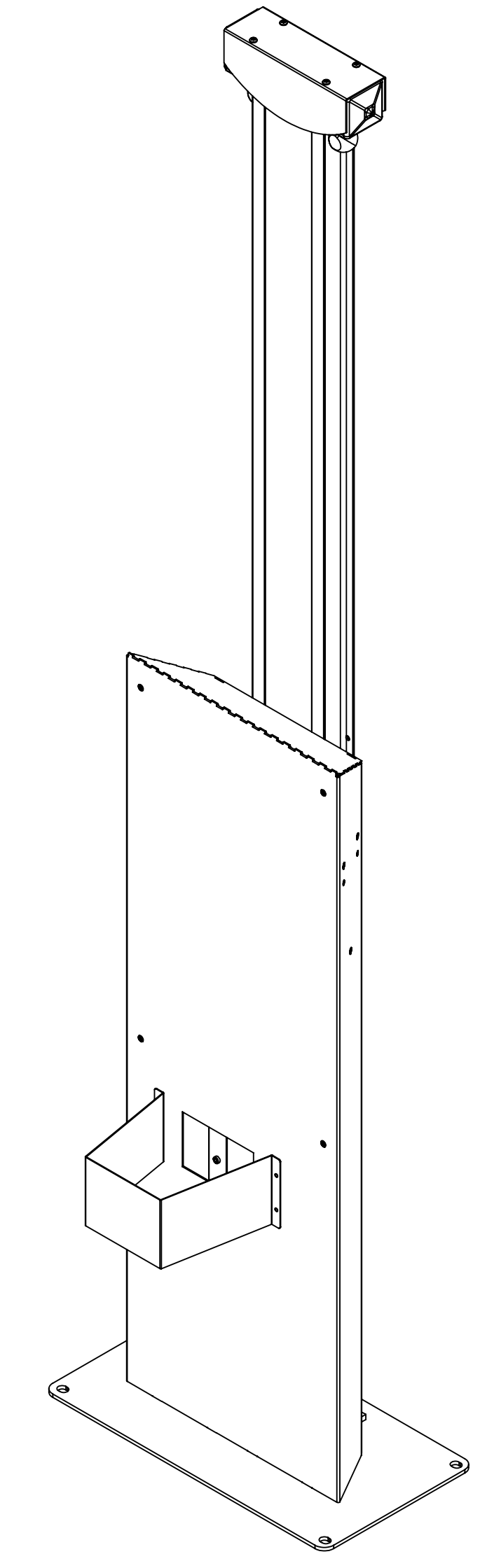
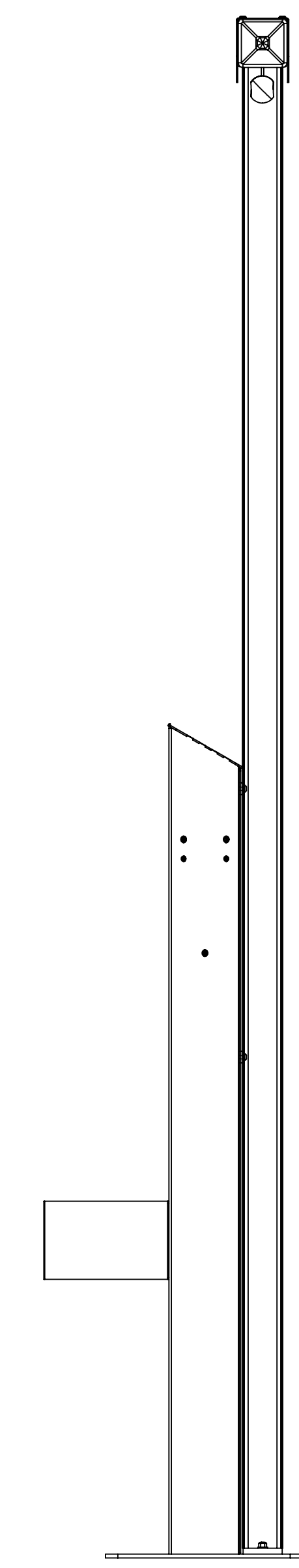
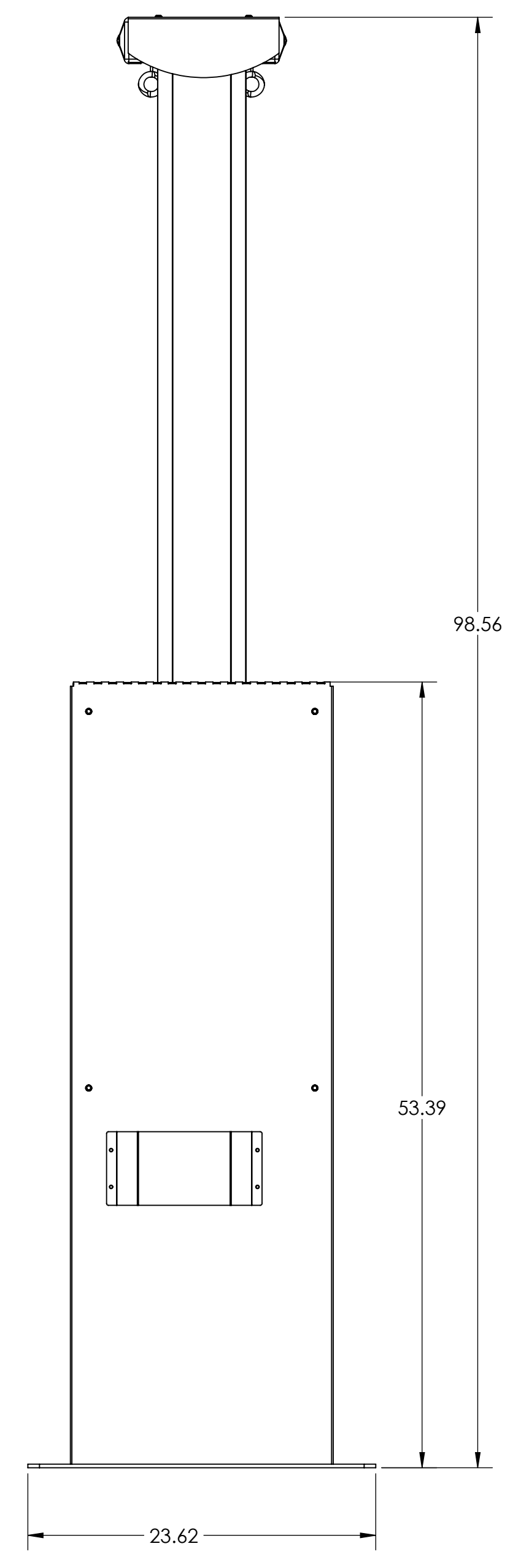
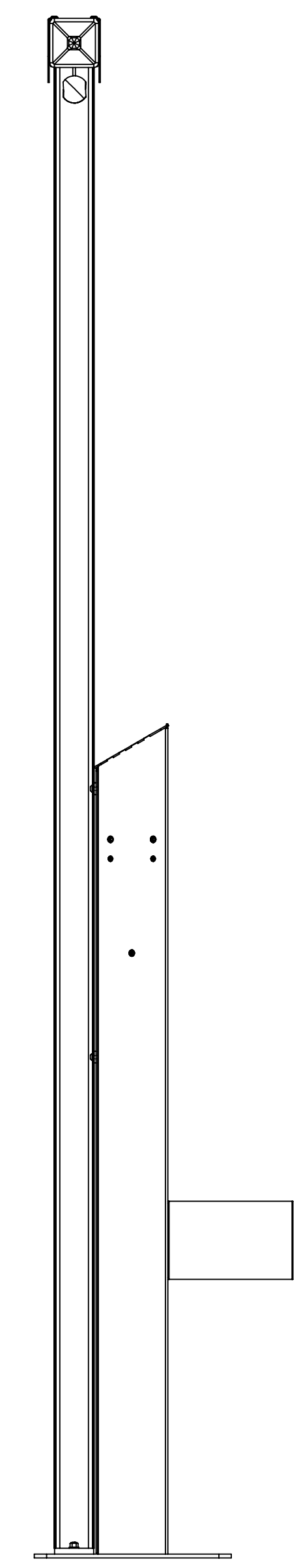
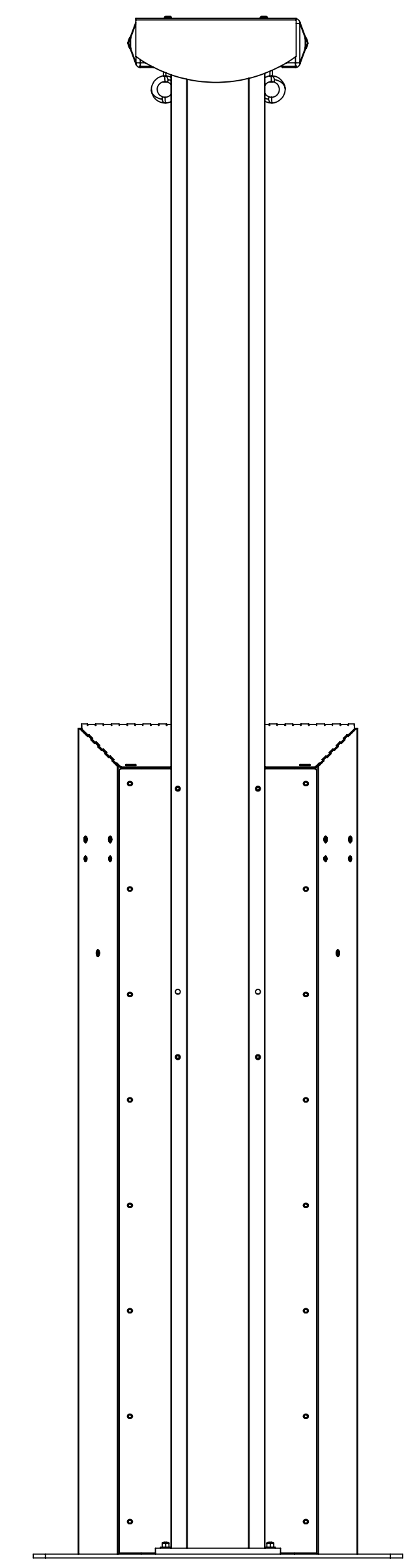
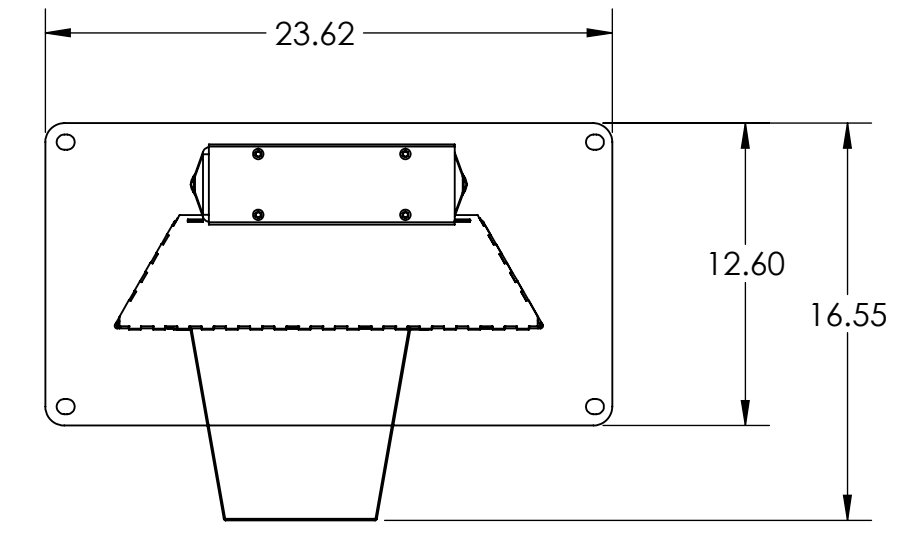


ABB TERRA DC WALLBOX PEDESTAL WITH 95" CABLE RETRACTOR LAYOUT DETAIL

Thursday, February 15, 2024 12:03:02 PM

PROPRIETARY AND CONFIDENTIAL
 PROPRIETARY DATA: THIS DOCUMENT DISCLOSES INFORMATION AND DATA IN WHICH EV CHARGE SOLUTIONS HAS PROPRIETARY RIGHTS. THE RIGHT TO REPRODUCE, USE OR DISCLOSE IN WHOLE OR IN PART EXCEPT BY WRITTEN PERMISSION IS PROHIBITED.

<table border="1"> <tr> <td>MANUFACTURING STANDARDS UNLESS OTHERWISE SPECIFIED</td> <td>EV CHARGE SOLUTIONS ROCHESTER, NY 585.533.4051</td> </tr> <tr> <td>FINISH: AS RECEIVED</td> <td rowspan="4"> </td> </tr> <tr> <td>X.X" ± .000"</td> <td> <table border="1"> <tr> <td>DRAWN</td> <td>CJ</td> <td>2/24/24</td> </tr> <tr> <td>CHECKED</td> <td></td> <td></td> </tr> <tr> <td>ENG APPR:</td> <td></td> <td></td> </tr> <tr> <td>MFG APPR:</td> <td></td> <td></td> </tr> </table> </td> </tr> <tr> <td>X.XX" ± .000"</td> <td> <table border="1"> <tr> <td>DATE</td> <td></td> </tr> <tr> <td>NAME</td> <td></td> </tr> </table> </td> </tr> <tr> <td>X.XXX" ± .000"</td> <td></td> </tr> <tr> <td>ANGLES ± 5°</td> <td></td> </tr> </table>	MANUFACTURING STANDARDS UNLESS OTHERWISE SPECIFIED	EV CHARGE SOLUTIONS ROCHESTER, NY 585.533.4051	FINISH: AS RECEIVED		X.X" ± .000"	<table border="1"> <tr> <td>DRAWN</td> <td>CJ</td> <td>2/24/24</td> </tr> <tr> <td>CHECKED</td> <td></td> <td></td> </tr> <tr> <td>ENG APPR:</td> <td></td> <td></td> </tr> <tr> <td>MFG APPR:</td> <td></td> <td></td> </tr> </table>	DRAWN	CJ	2/24/24	CHECKED			ENG APPR:			MFG APPR:			X.XX" ± .000"	<table border="1"> <tr> <td>DATE</td> <td></td> </tr> <tr> <td>NAME</td> <td></td> </tr> </table>	DATE		NAME		X.XXX" ± .000"		ANGLES ± 5°		<table border="1"> <tr> <td>TITLE:</td> <td>ABB TERRA DC WALLBOX PEDESTAL WITH EVCS 95" DUAL RETRACTOR LAYOUT</td> </tr> <tr> <td>SIZE:</td> <td>DWG. NO. ABB DCWB PED-95RETR</td> </tr> <tr> <td>SCALE:</td> <td>NTS WEIGHT: SHEET 1 OF 1</td> </tr> </table>	TITLE:	ABB TERRA DC WALLBOX PEDESTAL WITH EVCS 95" DUAL RETRACTOR LAYOUT	SIZE:	DWG. NO. ABB DCWB PED-95RETR	SCALE:	NTS WEIGHT: SHEET 1 OF 1
MANUFACTURING STANDARDS UNLESS OTHERWISE SPECIFIED	EV CHARGE SOLUTIONS ROCHESTER, NY 585.533.4051																																		
FINISH: AS RECEIVED																																			
X.X" ± .000"		<table border="1"> <tr> <td>DRAWN</td> <td>CJ</td> <td>2/24/24</td> </tr> <tr> <td>CHECKED</td> <td></td> <td></td> </tr> <tr> <td>ENG APPR:</td> <td></td> <td></td> </tr> <tr> <td>MFG APPR:</td> <td></td> <td></td> </tr> </table>	DRAWN		CJ	2/24/24	CHECKED			ENG APPR:			MFG APPR:																						
DRAWN		CJ	2/24/24																																
CHECKED																																			
ENG APPR:																																			
MFG APPR:																																			
X.XX" ± .000"	<table border="1"> <tr> <td>DATE</td> <td></td> </tr> <tr> <td>NAME</td> <td></td> </tr> </table>	DATE		NAME																															
DATE																																			
NAME																																			
X.XXX" ± .000"																																			
ANGLES ± 5°																																			
TITLE:	ABB TERRA DC WALLBOX PEDESTAL WITH EVCS 95" DUAL RETRACTOR LAYOUT																																		
SIZE:	DWG. NO. ABB DCWB PED-95RETR																																		
SCALE:	NTS WEIGHT: SHEET 1 OF 1																																		

ABB DCWB PED-95RETR