

REVISIONS				
ZONE	REV.	DESCRIPTION	DATE	APPROVED
	A	ABB DCWB PEDESTAL DESIGN FOR REFERENCE ONLY	2/15/2024	CJ

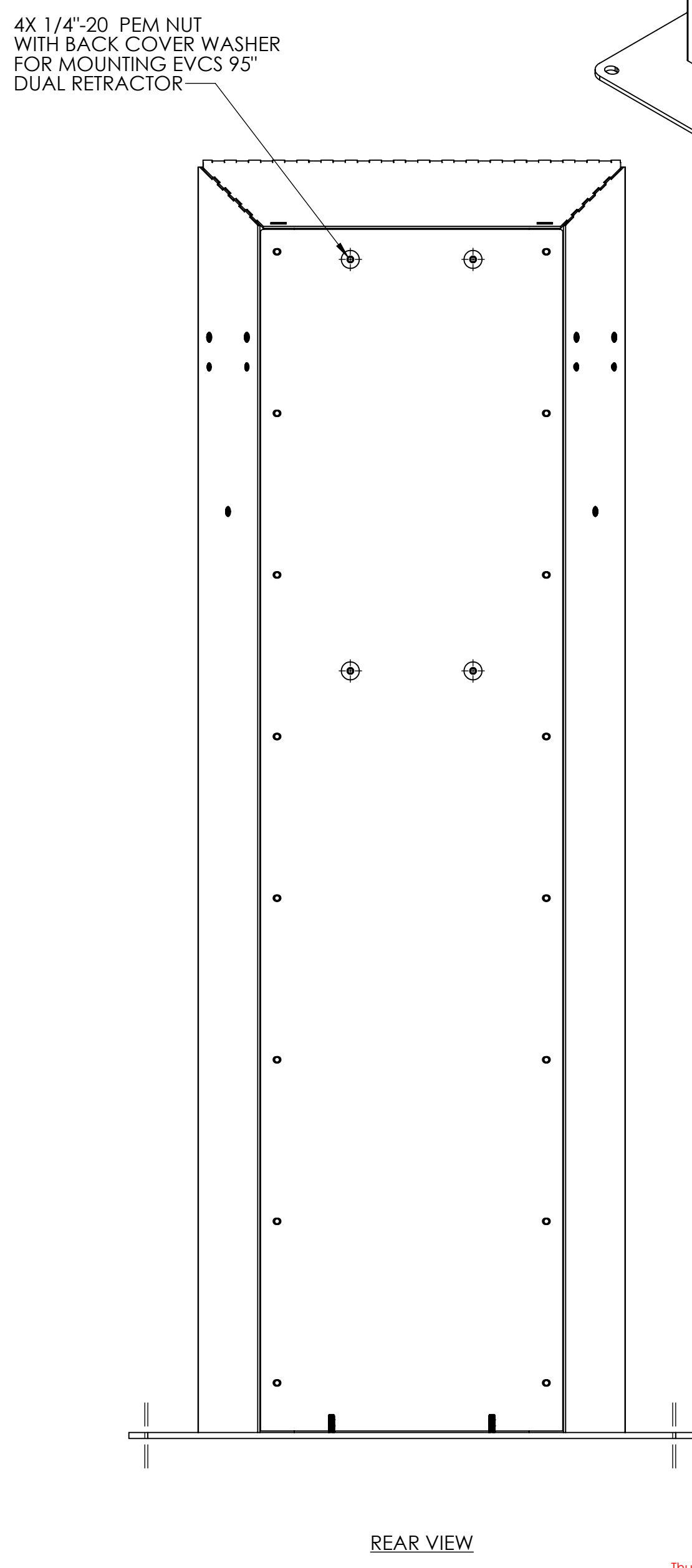
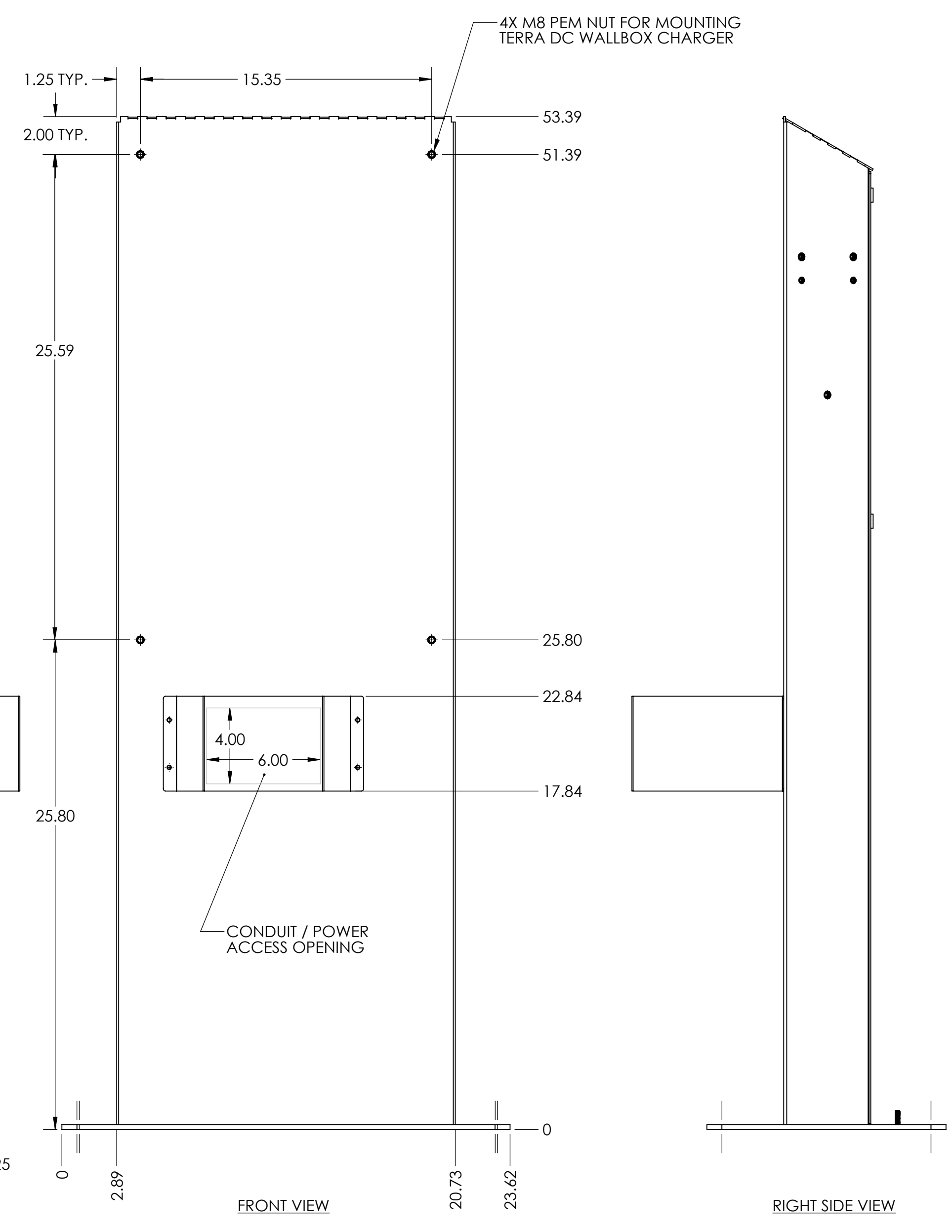
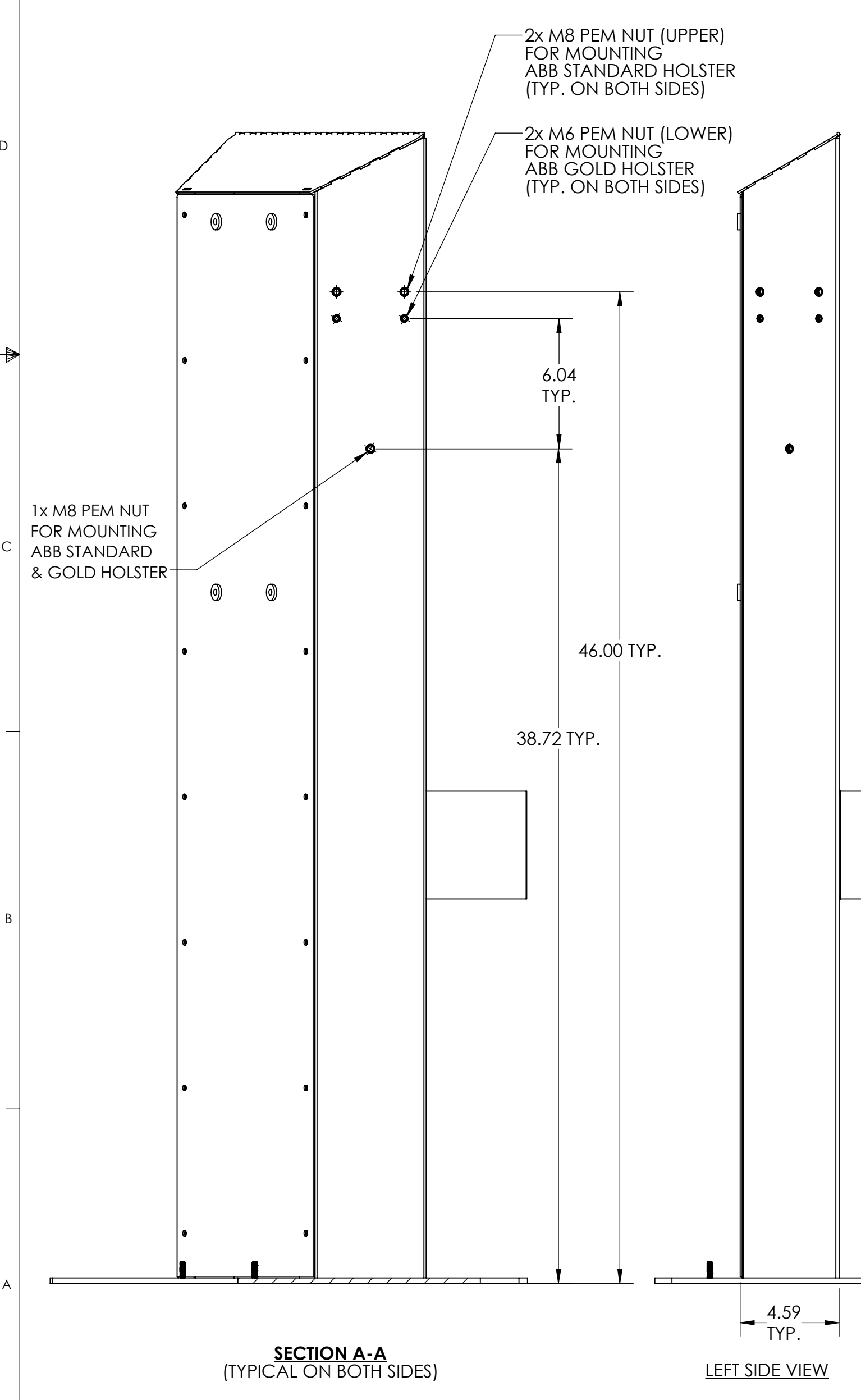
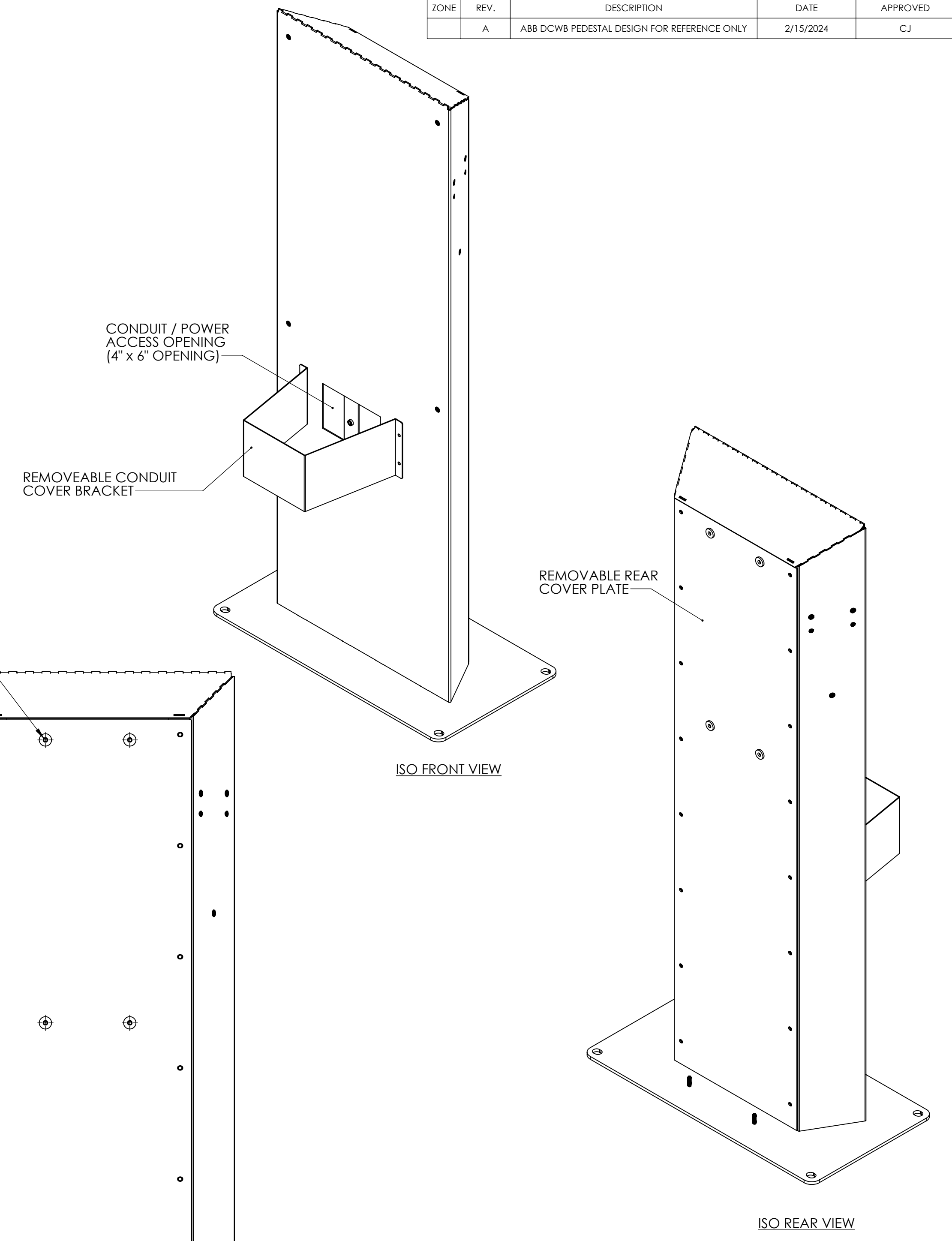
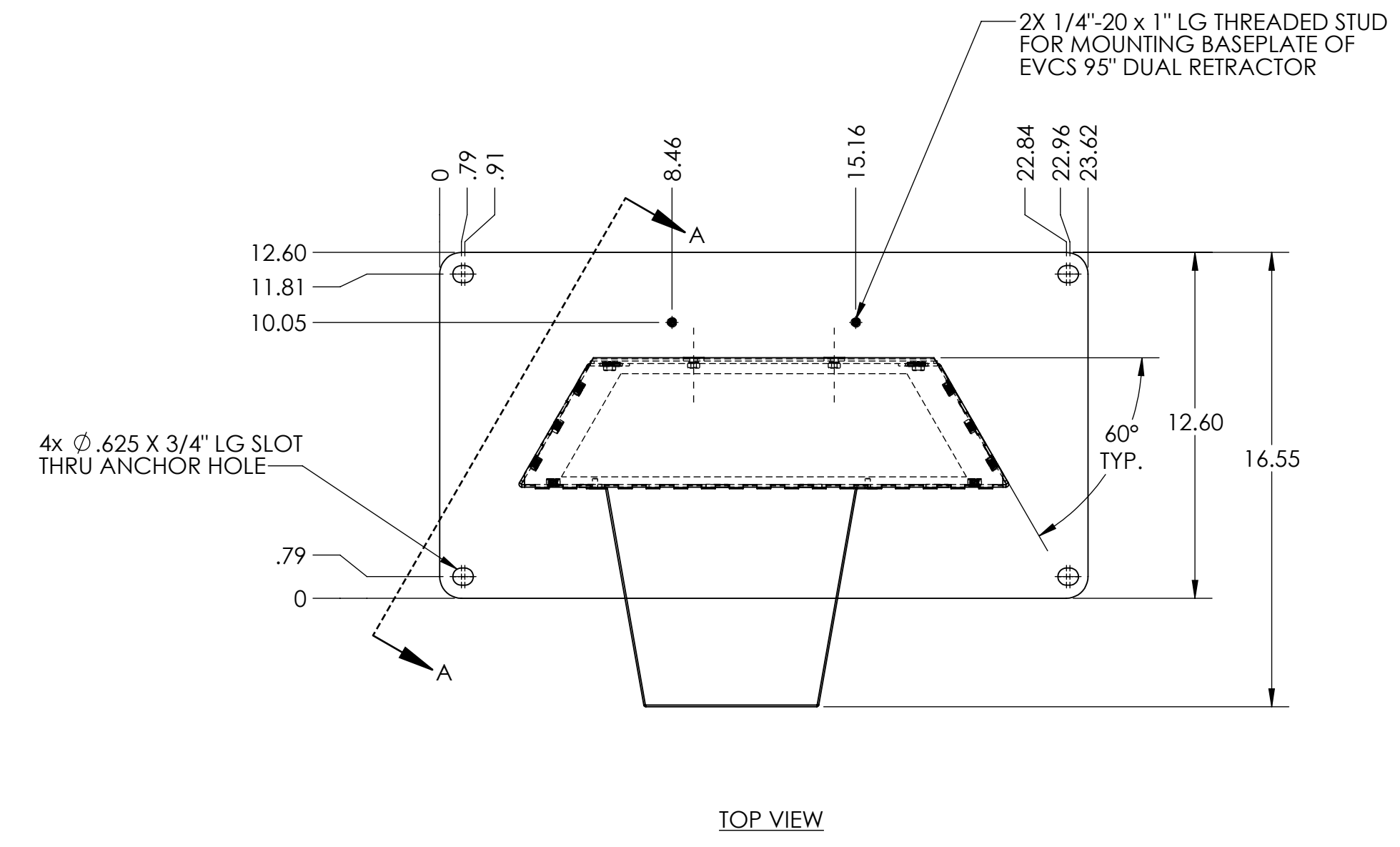


ABB TERRA DC WALLBOX CHARGER PEDESTAL LAYOUT DETAIL

Thursday, February 15, 2024 11:38:48 AM

PROPRIETARY AND CONFIDENTIAL
 PROPRIETARY DATA: THIS DOCUMENT DISCLOSES INFORMATION AND DATA IN WHICH EV CHARGE SOLUTIONS HAS PROPRIETARY RIGHTS. THE RIGHT TO REPRODUCE, USE OR DISCLOSE IN WHOLE OR IN PART EXCEPT BY WRITTEN PERMISSION IS PROHIBITED.

<small>MANUFACTURING STANDARDS UNLESS OTHERWISE SPECIFIED</small> DECIMALS: X.X" ± .000" FRACTIONS: X.XX" ± .000" ANGLES: ± 5°		<small>FINISH: UNLESS OTHERWISE SPECIFIED</small> ALL DIMENSIONS IN INCHES				EV CHARGE SOLUTIONS ROCHESTER, NY 585.533.4051	
DRAWN: CJ CHECKED: CJ ENG APPR: MFG APPR: Q.A. COMMENTS:	NAME: CJ DATE: 2/15/24	TITLE: ABB TERRA DC WALLBOX CHARGER PEDESTAL LAYOUT DETAIL		SIZE: DWG. NO. D	REV: A	SCALE: NTS WEIGHT: SHEET 1 OF 1	