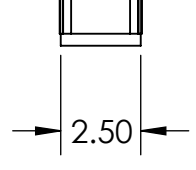
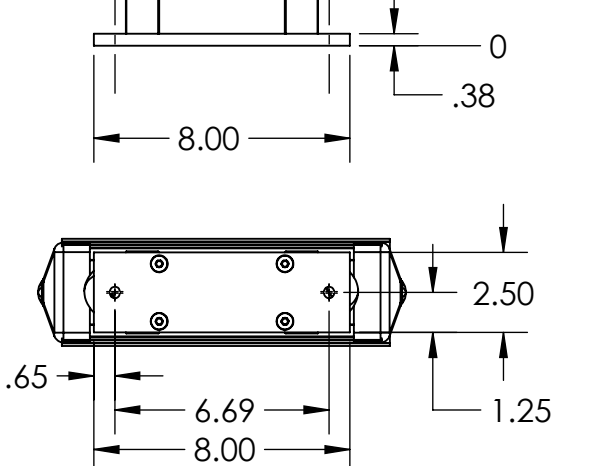
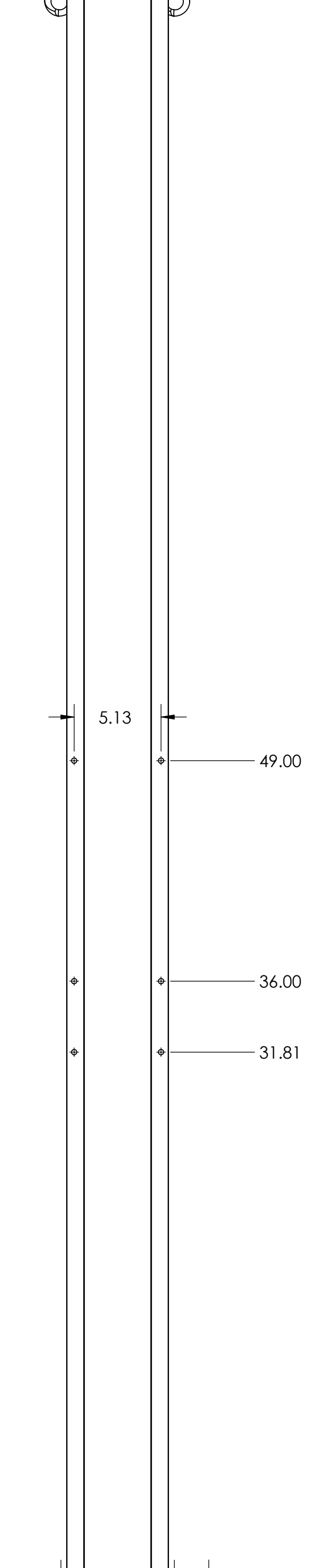
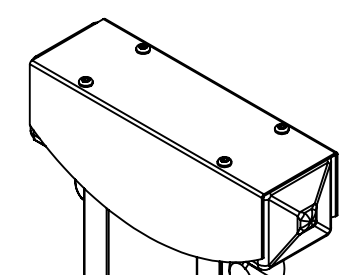
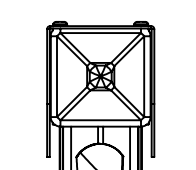
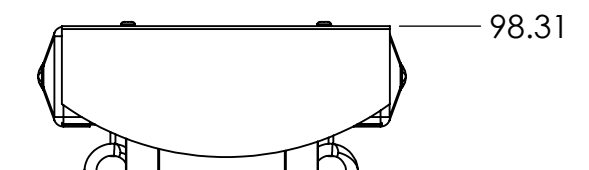
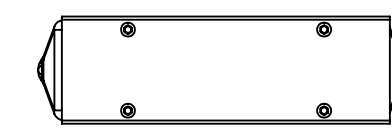


REVISIONS				
ZONE	REV.	DESCRIPTION	DATE	APPROVED
	A	EVCS 95" DUAL RETRACTOR FOR REERENCE ONLY	8/7/2023	



EVCS 95" DUAL RETRACTOR

Thursday, August 24, 2023 3:45:35 PM

PROPRIETARY AND CONFIDENTIAL
 PROPRIETARY DATA: THIS DOCUMENT DISCLOSES INFORMATION AND DATA IN WHICH EV CHARGE SOLUTIONS HAS PROPRIETARY RIGHTS. THE RIGHT TO REPRODUCE, USE OR DISCLOSE IN WHOLE OR IN PART EXCEPT BY WRITTEN PERMISSION IS PROHIBITED.

<small>MANUFACTURING STANDARDS UNLESS OTHERWISE SPECIFIED</small> <small>FINISHES:</small> X.X" ± .000" X.XX" ± .000" X.XXX" ± .000" ANGLES ± 5° <small>BREAK ALL SHARP EDGES .015" MAX. ALL DIMENSIONS IN INCHES</small>	<small>MACHINED SURFACES</small> <small>ROUGHNESS</small> 125 	<small>EV CHARGE SOLUTIONS</small> <small>ROCHESTER, NY</small> <small>585.533.4051</small>	<small>TITLE:</small> EVCS 95" DUAL RETRACTOR
<small>DRAWN:</small> CJ <small>CHECKED:</small> <small>ENG APPR:</small> <small>MFG APPR:</small> <small>Q.A.</small> <small>COMMENTS:</small>	<small>NAME:</small> <small>DATE:</small> 8/7/23	<small>SIZE:</small> D	<small>DWG. NO.:</small> ABB 95in DR 1
<small>REV:</small> A	<small>SCALE:</small> NTS <small>WEIGHT:</small> <small>SHEET 1 OF 1</small>		

D ABB 95in DR 1 A