

06/15/2023

Cable Management Systems

XT4 for T54/T54HV & Thor (T94/T124/T184)

Cable Management System – T54/T54HV & Thor (T94/T124/T184)

Part number scheme

TL40020253659003

Paint color: 9003 = RAL9003

Cable clamp OD: 365 = 36.5mm

Counterweight length: 2025 = 20.25in

CMS Tube height: 00 = Standard, 22 = 22 inches above power cabinet

CMS Tube profile: 2 = 2.5x4.5in (T54/54HV, 4 = 4.0x4.0in (Thor)

CMS tube side: L = left, R = right, X = universal fits both left and right

Charger family: T = Terra, B = Bus transit

Cable Management System – T54/T54HV & Thor (T94/T124/T184)

Reference table - Ordering part numbers

Suitable for	Cable description	CMS ordering Part number	CMS tube profile [in]	Counterweight Length [in] / weight [lbs]	Clamp PN	Clamp position (L1-L2)
T94/T124/T184	200A CCS1 REMA 20ft OD 35.1mm	TL40018003819003* TR40018003819003*	4.0x4.0	18.00 / 45.85	BP-1397 (38.1mm) Red insert	9ft (+0/-2in)
T94/T124/T184	200A Chademo Sumitomo 20ft OD 43.0mm	TL40028874179003*	4.0x4.0	28.87 / 73.53	BP-1396-417 (41.7mm) Purple insert	9ft (+0/-2in)
T94/T124/T184	200A CCS1 Amphenol China 20ft OD 41.5mm 400A (300A) CCS1 Amphenol China 20ft OD 41.5mm	TL40026314179003* TR40026314179003*	4.0x4.0	26.31 / 67.00	BP-1396-417 (41.7mm) Purple insert	9ft (+0/-2in)
T124/T184 HC	400A (300A) CCS1 REMA 20ft OD 38.1mm	TL40025683819003 TR40025683819003	4.0x4.0	25.68 / 65.41	BP-1397 (38.1mm) Red insert	9ft (+0/-2in)
T54/T54HV	125A CCS1 Amphenol China 20ft OD 36.0mm	TL40018003819003*	4.0x4.0	18.00 / 45.85	BP-1397 (38.1mm) Red insert	9ft (+0/-2in)
T54/T54HV	125A Chademo Sumitomo 20ft OD 32mm	T54-2545B	2.5x4.5	15.25 / 34.5	BP-1398 (31.7mm) Red insert	9ft (+0/-2in)
T54/T54HV	125A/150A CCS1 REMA 20ft OD 32mm	T54-2545B	2.5x4.5	15.25 / 34.5	BP-1398 (31.7mm) Red insert	9ft (+0/-2in)
T54/T54HV	125A Chademo Sumitomo 20ft OD 32mm	TR40013753179003	4.0x4.0	15.25 / 34.5	BP-1398 (31.7mm) Red insert	9ft (+0/-2in)
T54/T54HV	125A/150A CCS1 REMA 20ft OD 32mm	TL40013753179003	4.0x4.0	15.25 / 34.5	BP-1398 (31.7mm) Red insert	9ft (+0/-2in)

**Needs 1 rubber tape layer 3M 130C – refer to last slide for more information*

Cable Management System

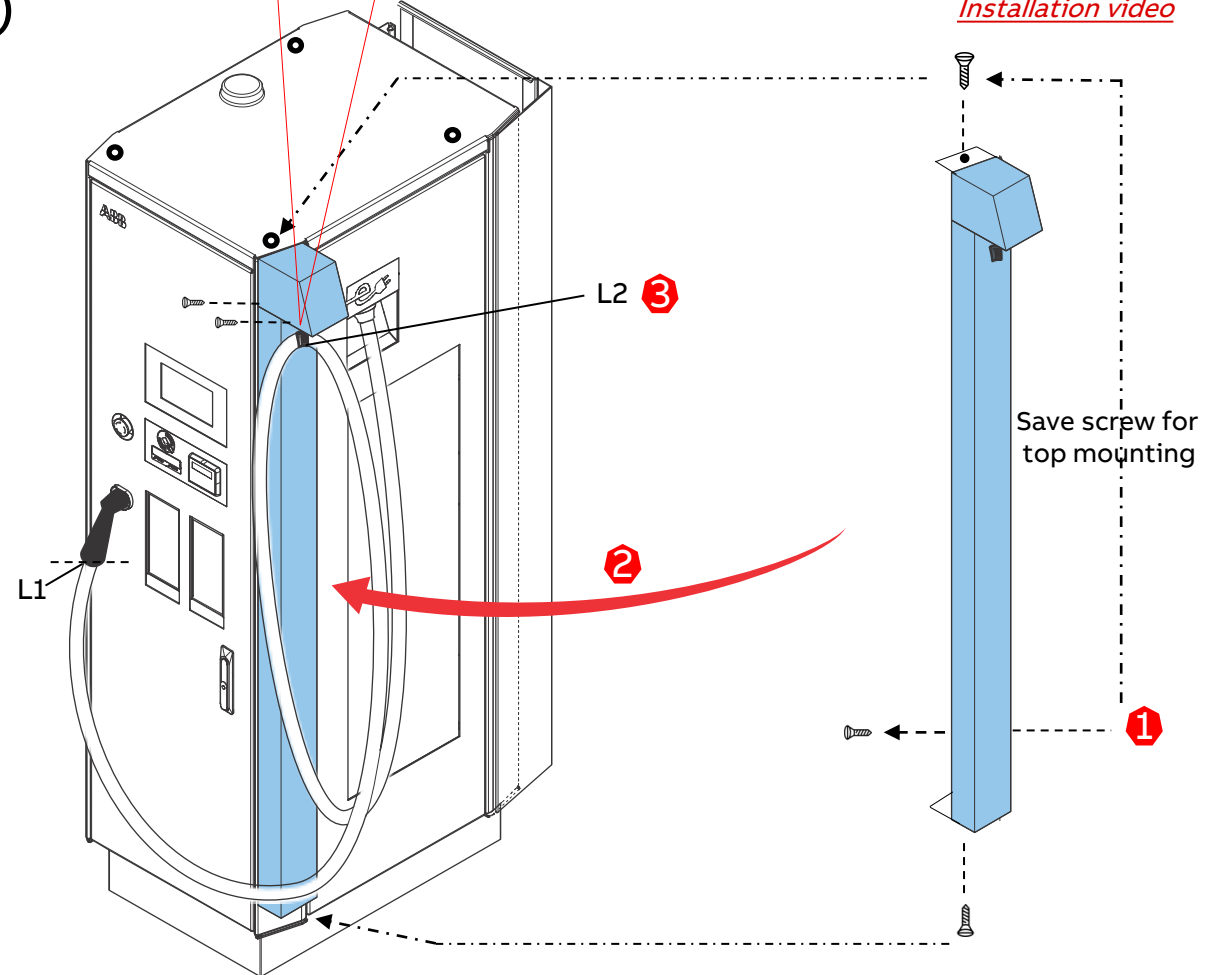
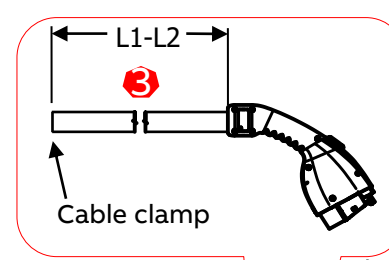
Installation steps: T54/T54HV & T94/T124/T184)

Installation steps – at the installation site

- Remove the screw securing the counterweight – see #1 - and let it slide down to the bottom of the tube. Save screw for top mounting.
- Install the CMS tube – now with counterweight, cord, cap and clamp assembled – onto to the power cabinet as indicated in the drawing and red arrow – see #2
- Use the two mounting screws provided with the kit in order to secure the CMS tube in place. The top mounting screw uses the eye bolt threaded holes, and the bottom mounting screw uses a pre-drilled hole at the bottom of the power cabinet. Top mounting screw reuses the screw that locks the counterweight in place.
- Install the clamp on to the charging cable at the specified L1-L2 length - see #3 and reference table for more details. In some cases, a layer of rubber take is required, refer to reference table and next page for details.

Notes:

- The complete CMS system may weight +65lbs. Therefore, make sure you follow safety guidelines in terms of lifting weights and/or secure a second person to assist with the task.
- CMS tube as well as counterweights and cable clamps combinations varies depending on cable manufacturer, diameter and charger family (e.g.: T54/T54HV and T94,124, 184). See reference table for details.



[Installation video](#)

Cable Management System

Installation steps: T54/T54HV & T94/T124/T184)

Added layer of 3M 130C Rubber tape

- D. (Cont'd) Before installing the clamp, some cable types require a layer of 3M 130C rubber tape between the charging cable and the clamp. Make sure the tape is installed properly in order keep a perfectly round profile without overlapping with its other end, approximately 1/8in gap.

