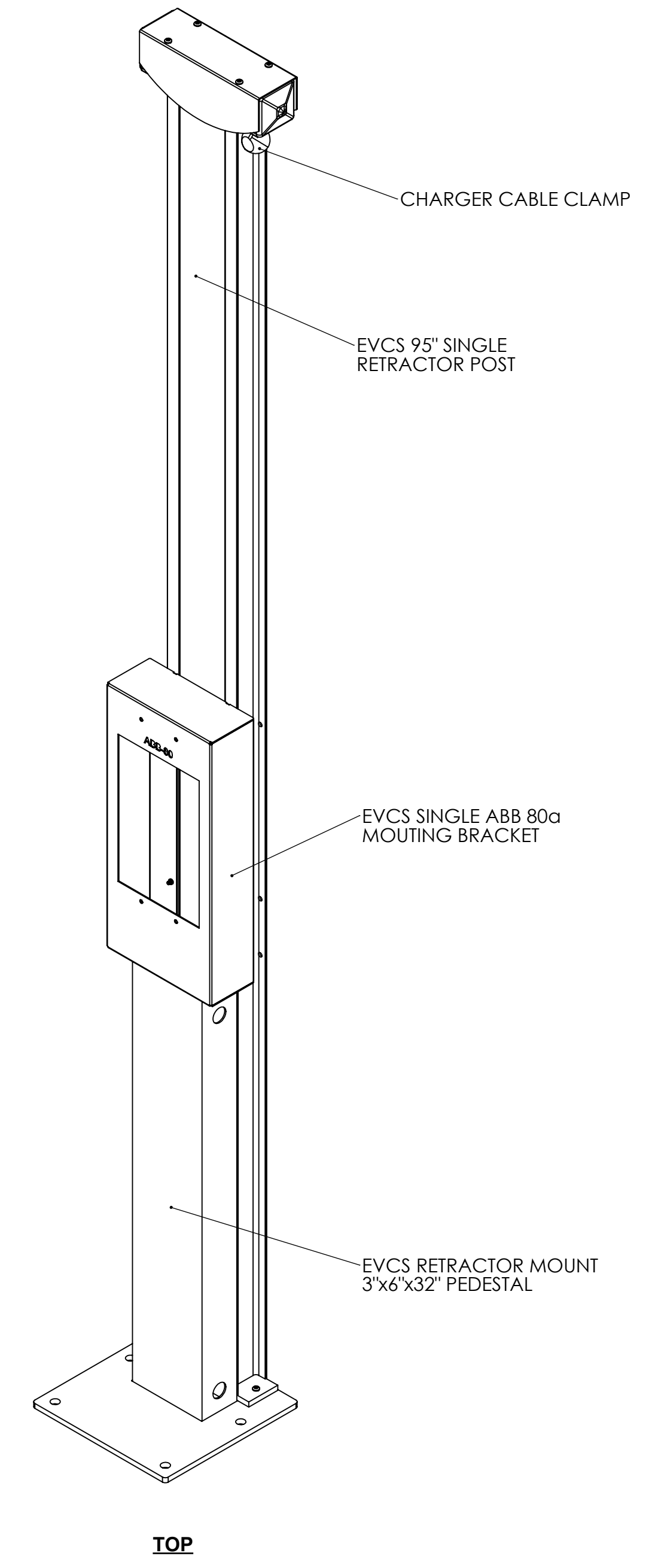
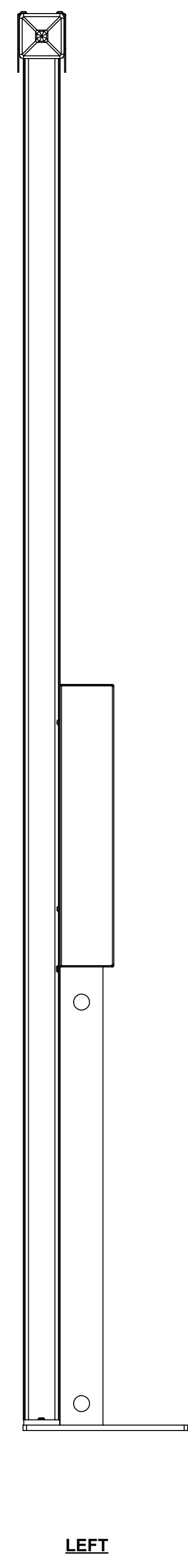
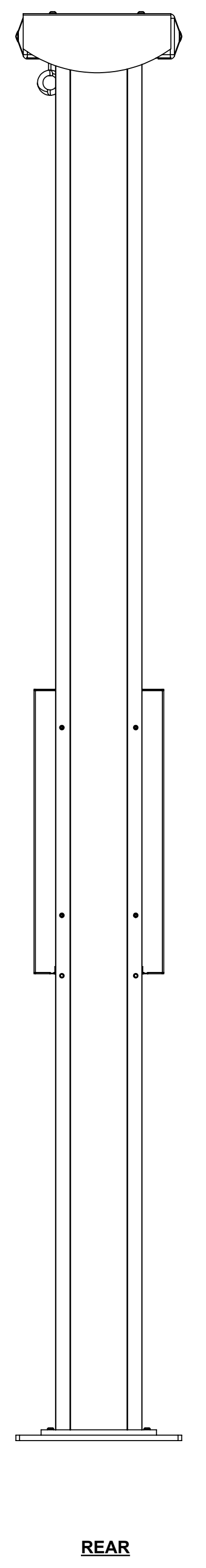
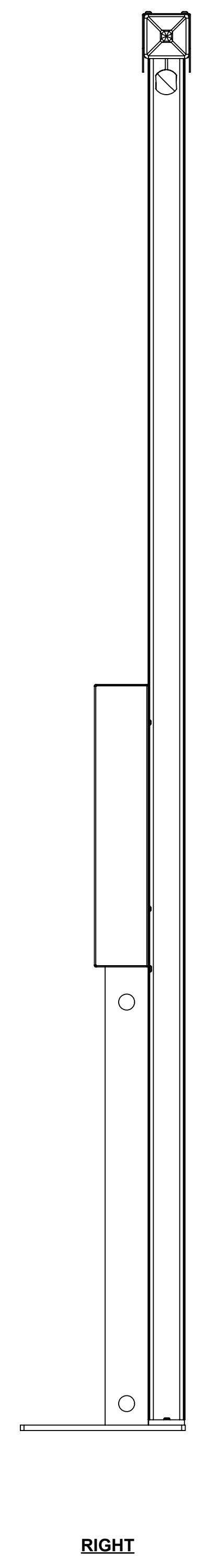
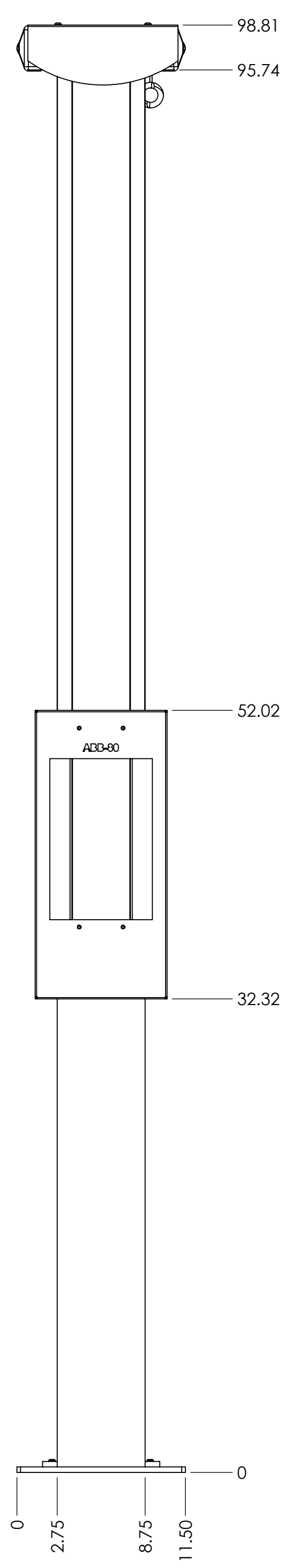
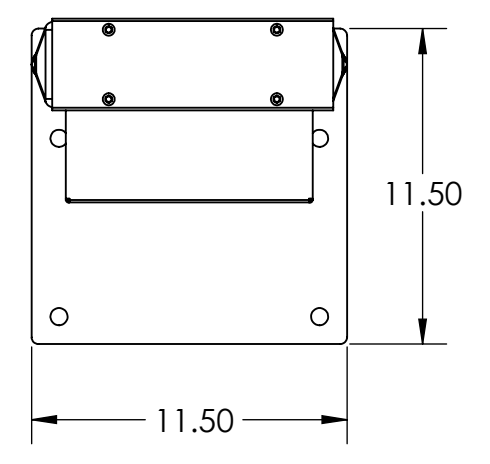


REVISIONS				
ZONE	REV.	DESCRIPTION	DATE	APPROVED
	A	EVCS PRODUCT LINE FOR CUSTOMER REVIEW	11/15/2023	CJ



**EVCS - 95" SINGLE RETRACTOR / SINGLE ABB 80α MOUNTING BRACKET MODEL**

Wednesday, November 15, 2023 9:13:15 AM

MANUFACTURING STANDARDS UNLESS OTHERWISE SPECIFIED: DECIMALS: .000" FRACTIONS: 1/32" SURFACES: MACHINED SURFACES: FINISH: RAUGHRNESS: ANGLES: ± 1°		<b>EV CHARGE SOLUTIONS</b> ROCHESTER, NY 585.533.4051
DRAWN: CJ CHECKED: G.A. ENG APPR: [ ] MFG APPR: [ ] COMMENTS: [ ]	NAME: [ ] DATE: 11/15/23	TITLE: EVCS - 95" SINGLE RETRACTOR - SINGLE ABB 40-80α MOUNTING BRACKET LAYOUT DETAIL
PROPRIETARY AND CONFIDENTIAL PROPRIETARY DATA: THIS DOCUMENT DISCLOSES INFORMATION AND DATA IN WHICH EV CHARGE SOLUTIONS HAS PROPRIETARY RIGHTS. THE RIGHT TO REPRODUCE, USE OR DISCLOSE IN WHOLE OR IN PART EXCEPT BY WRITTEN PERMISSION IS PROHIBITED.	MATERIAL: [ ] FINISH: [ ]	SIZE: D DWG. NO.: EVCS-ABB-SR-CR-95-80α SCALE: NTS WEIGHT: [ ] SHEET 1 OF 1

D:\CS-ABB-SR-CR-95-80α