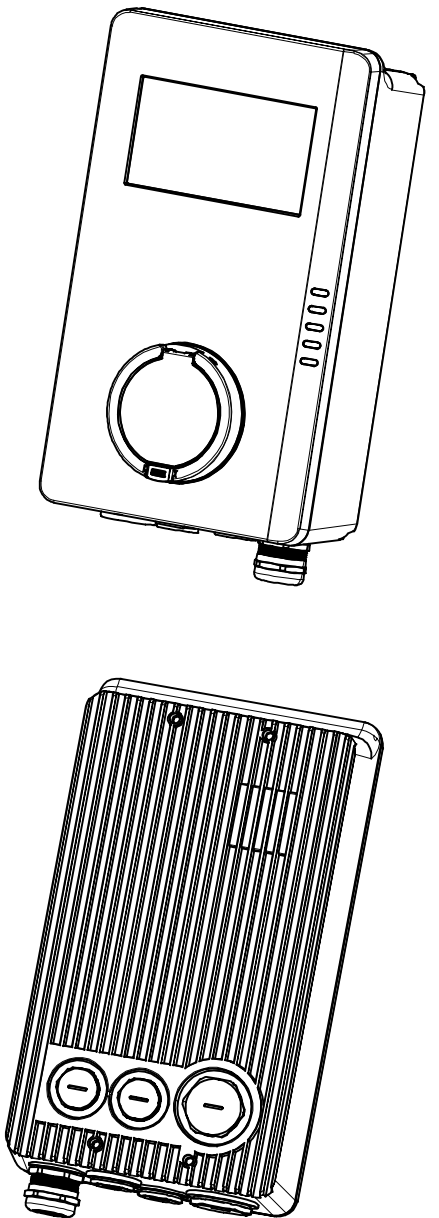
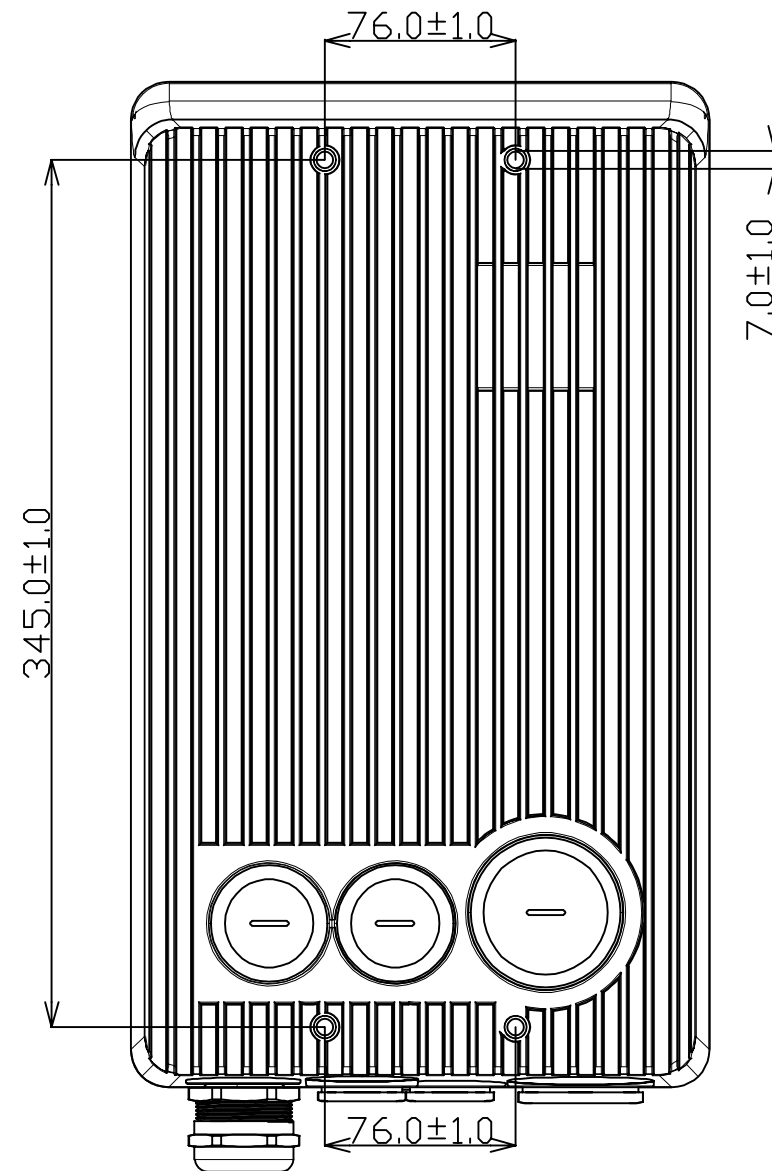
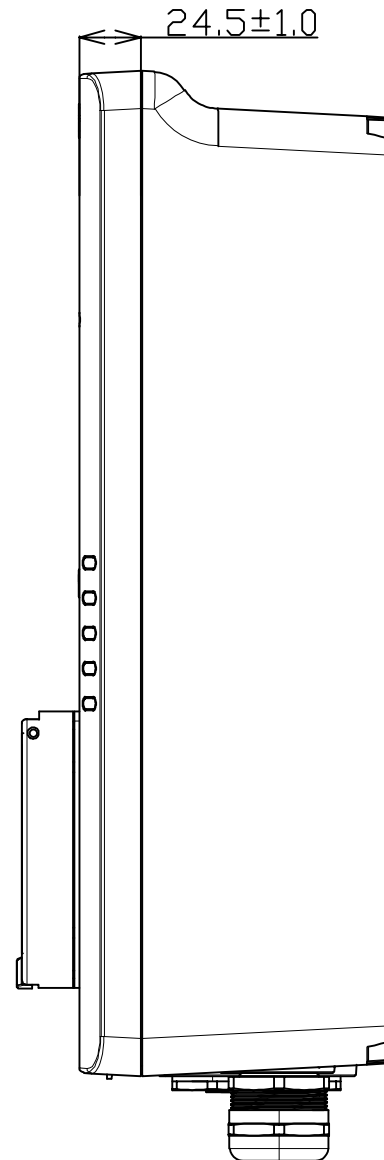
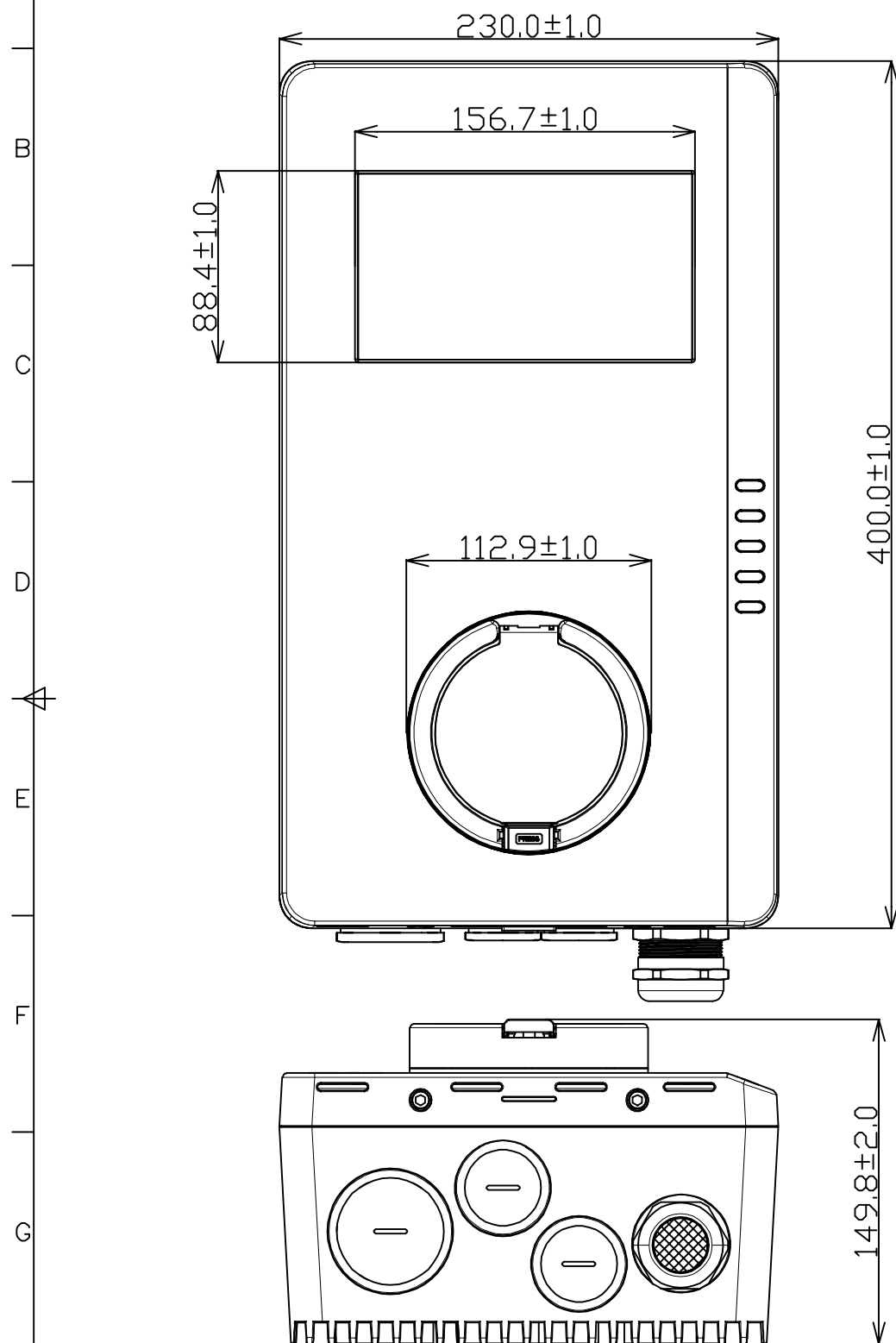


1. Product must meet cosmetic standard requirements(Category A,B or C) specified in ABB Cosmetic standards procedure C02-QAM-001-2.
2. Supplier's inspection must comply FAI procedure C04-QAM-002-2.
3. Dimensions specified in oval are critical to function and require inspection. Dimensional Quality shall be CPK1,33 MIN.Provide report for minimum 33pcs batch.
4. Part(s) shall be adequately packaged to prevent damage in shipment and handling in cell type separators,protective wrapped as required.
5. —Noted surfaces to be free of all scratches,ejector marks and shrink marks.

Drawing is for notes and CTF dimension only.Refer to individual CAD file for 3-D geometry.



Version	Revision	Description	Designer	Date	ECO	
All material used, and finished product, must meet the requirements of the current RoHS directive of the European Union.						
Dimension with general tolerance according to ISO 2768						
Precision	0.5-3	3-6	6-30	30-120	120-400	400-1000
Fine	±0.05	±0.05	±0.1	±0.15	±0.2	±0.3
Medium	±0.1	±0.1	±0.2	±0.3	±0.5	±0.8
Coarse	±0.2	±0.3	±0.5	±0.8	±1.2	±2
Material	SEE NOTE	Treatment	SEE NOTE	Weight (Kg)		
Title				Issued		
				Modified		
				Mech.Eng approved	SEMOLON A	
				Elec.Eng approved		
				Mfg. approved		
ABB				Size	A2	
				Scale	1:1	
				Unit (mm)	1/1	
				Sheet	1/1	
				Drawing no.	DG	
				Revision		